

V / S Series Sand Filter By Emaux



With over 35 years of solid experience and expertise together with our devoted staffs, Emaux has evolved from a Swimming Pool and Spa Equipment manufacturer to a company that is focused in Water Technology. A company that provides solutions to clients in water related issues.

Water for life and leisure

 **Emaux**
water technology

www.emauxgroup.com



"V" Series Fiberglass Top Mount Filter

Highlight Features:

- Suggested Installation: Domestic In-ground and above ground pool / hot spa tub
- Max operating pressure 36 psi / 2.5 bar
- Max temperature of 43°C (109 °F)
- Universal standard of union connection provided
- Suggested size of media : 0.5-0.8mm



V350-V700



V700(B)-V1400

FEATURES

Bobbin-wound fiberglass reinforced tank is still the most popular standard in the industry after all. With UV-resistant surface finish, it is able to operate under prolonged sunlight for years of reliability. "V" Series (V350-V1400) filters are equipped with a six-position, 1.5", 2", & 2.5" multiport valve and ABS laterals.

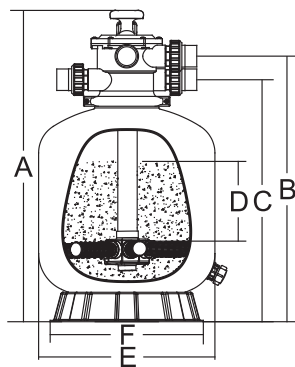
Technical Information

Code	Model No	Filter Area(m ²)	Valve Connections		Max Flow Rate		Sand(kg)
88010101	V350	0.09	1.5 inch	50mm	72lpm	4.32m ³ /h	20
88010102	V400	0.13	1.5 inch	50mm	108lpm	6.48m ³ /h	35
88010103	V450	0.16	1.5 inch	50mm	135lpm	8.10m ³ /h	45
88010104	V500	0.22	1.5 inch	50mm	185lpm	11.10m ³ /h	85
88010105	V650	0.32	1.5 inch	50mm	260lpm	15.60m ³ /h	145
88010107	V700	0.40	1.5 inch	50mm	325lpm	19.50m ³ /h	210
88010608	V700(B)	0.41	2.0 inch	63mm	336lpm	20.16m ³ /h	215
88010609	V800	0.50	2.0 inch	63mm	415lpm	24.90m ³ /h	355
88010610	V900	0.64	2.0 inch	63mm	520lpm	31.20m ³ /h	470
88010650	V900(C)	0.64	2.5 inch	75mm	533lpm	32.00m ³ /h	470
88010611	V1000	0.79	2.0 inch	63mm	650lpm	39.00m ³ /h	620
88010651	V1000(C)	0.79	2.5 inch	75mm	658lpm	39.50m ³ /h	620
88010613	V1200	1.13	2.0 inch	63mm	860lpm	51.60m ³ /h	860
88010652	V1200(C)	1.13	2.5 inch	75mm	941lpm	56.50m ³ /h	860
88010614	V1400	1.54	2.5 inch	75mm	1277lpm	76.90m ³ /h	1350

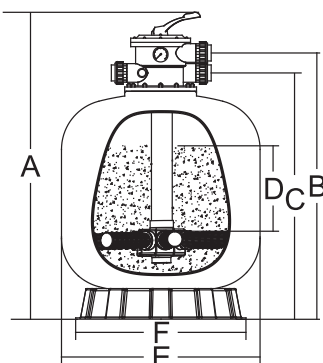
Note: Suggested sand weight varies with differences in filter media size. For reference only.

Product Dimension

Model No	A mm	B mm	C mm	D mm	E mm	F mm
V350	726	619	550	160	355	298
V400	757	640	590	175	410	390
V450	814	698	638	210	455	390
V500	845	730	670	235	535	500
V650	950	835	775	300	635	500
V700	1020	905	845	330	710	500
V700(B)	1092	960	877	390	723	500
V800	1200	1085	1002	425	800	780
V900	1300	1172	1090	480	900	780
V900(C)	1334	1242	990	480	900	780
V1000	1400	1340	1260	580	1000	780
V1000(C)	1434	1410	1160	580	1000	780
V1200	1600	1550	1468	740	1200	1000
V1200(C)	1634	1620	1368	740	1200	1000
V1400	1780	1616	1520	700	1400	1220



V350-V700



V700(B)-V1400



"S" Series Fiberglass Side Mount Filter



S450-S700

S700(B)-S900

S1000-S1200

Highlight Features:

- Suggested Installation: Domestic In-ground and above ground pool / hot spa tub
- Max operating pressure 36 psi / 2.5 bar
- Max temperature of 43°C (109 °F)
- Universal standard of union connection provided
- Suggested size of media : 0.5-0.8mm

FEATURES

Bobbin-wound fiberglass reinforced tank is still the most popular standard in the industry after all. With UV-resistant surface finish, it is able to operate under prolonged sunlight for years of reliability. Transparent lid is designed for easy inspection of sand bed. "S" Series (S450-S1200) filters are equipped with a six-position, 1.5", 2" & 2.5" multiport valve and ABS laterals.

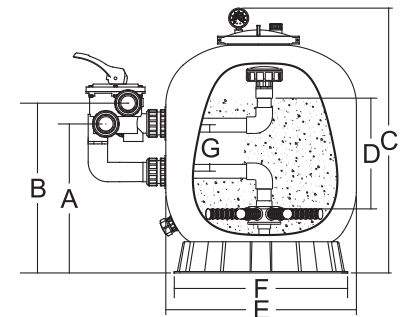
Technical Information

Code	Model No	Filter Area(m ²)	Valve Connections		Max Flow Rate		Sand(kg)
88010703	S450	0.16	1.5inch	50mm	135lpm	8.10m ³ /h	45
88010704	S500	0.22	1.5inch	50mm	185lpm	11.10m ³ /h	85
88010705	S650	0.32	1.5inch	50mm	260lpm	15.60m ³ /h	145
88010707	S700	0.40	1.5inch	50mm	325lpm	19.50m ³ /h	210
88011208	S700(B)	0.41	2.0inch	63mm	336lpm	20.16m ³ /h	215
88011209	S800	0.53	2.0inch	63mm	435lpm	24.10m ³ /h	355
88011210	S900	0.66	2.0inch	63mm	495lpm	29.70m ³ /h	470
88011250	S900(C)	0.66	2.5 inch	75mm	550lpm	33.00m ³ /h	470
88011311	S1000	0.82	2.0inch	63mm	670lpm	40.20m ³ /h	620
88011351	S1000(C)	0.82	2.5 inch	75mm	683lpm	41.00m ³ /h	620
88011313	S1200	1.17	2.0inch	63mm	880lpm	52.80m ³ /h	860
88011352	S1200(C)	1.17	2.5 inch	75mm	975lpm	58.50m ³ /h	860

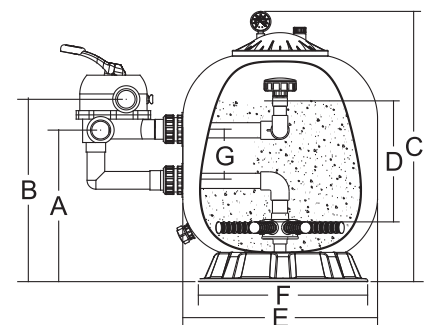
Note: Suggested sand weight varies with differences in filter media size. For reference only.

Product Dimension

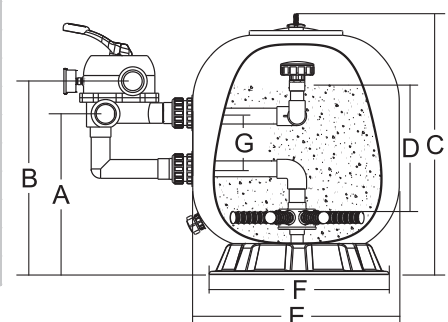
Code	A mm	B mm	C mm	D mm	E mm	F mm	G mm
S450	360	420	730	210	455	390	125
S500	390	450	770	235	535	500	125
S650	430	490	850	300	635	500	125
S700	450	510	960	330	710	500	125
S700(B)	520	606	890	390	723	500	220
S800	560	646	1050	425	820	780	220
S900	610	696	1180	480	920	780	220
S900(C)	673	744	1180	380	920	780	236
S1000	700	770	1220	580	1020	780	220
S1000(C)	773	844	1220	480	1020	780	236
S1200	820	1005	1410	740	1220	1000	220
S1200(C)	836	1079	1410	640	1220	1000	236



S450-S700



S700B-S900



S1000-S1200



EMAUX WATER TECHNOLOGY

Over 35 years of engineering experience in Water Technology, providing expert solution in all water related matters based on our innovative ideas, automated production processes, and professionalism. Emaux is the leading water technology company that incorporates R & D, Production, and Sales under one roof.

Available from:

 **Emaux**
water technology

www.emauxgroup.com

Waterpark & Aquarium / Competition Pool / Residential Pool / Commercial Pool / Water Treatment / Water Feature

All specification are subject to change without notice © Copyright 2013 Emaux Swimming Pool Equipment Co., Ltd

Photos are for reference only, contents are subject to change without prior notice.